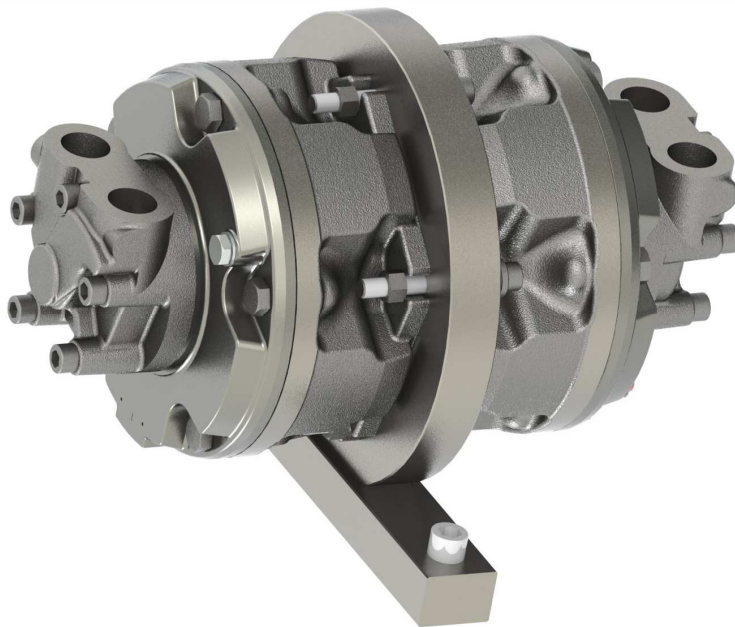


FLOW DIVIDERS PREVIEW CATALOGUE



Power through Efficiency



111126.1 SAI Spa
41122 Modena Italia
www.saispa.com
e-mail saispa@saispa.it

Provisional leaflets subjected to change without notice.
All data are real and calculated according to existing project.

TECHNICAL CHARACTERISTICS

Type	Displacement per section	Flow per section		Pressure		Max power per section
		Cont.	Max	Cont.	Max	
	[cm ³ /rev]	[l/min]	[l/min]	[bar]	[bar]	[kW]
GM1 100/100	99	40	60	250	300	28
GM1 175/175	172	70	90	250	300	28
GM2 300/300	304	120	170	250	300	45
GM2 500/500	493	150	190	250	300	45
GM3 700/700	690	230	270	250	300	60
GM5 1600/1600	1634	340	400	250	300	100
GM6 2100/2100	2127	460	500	250	300	130

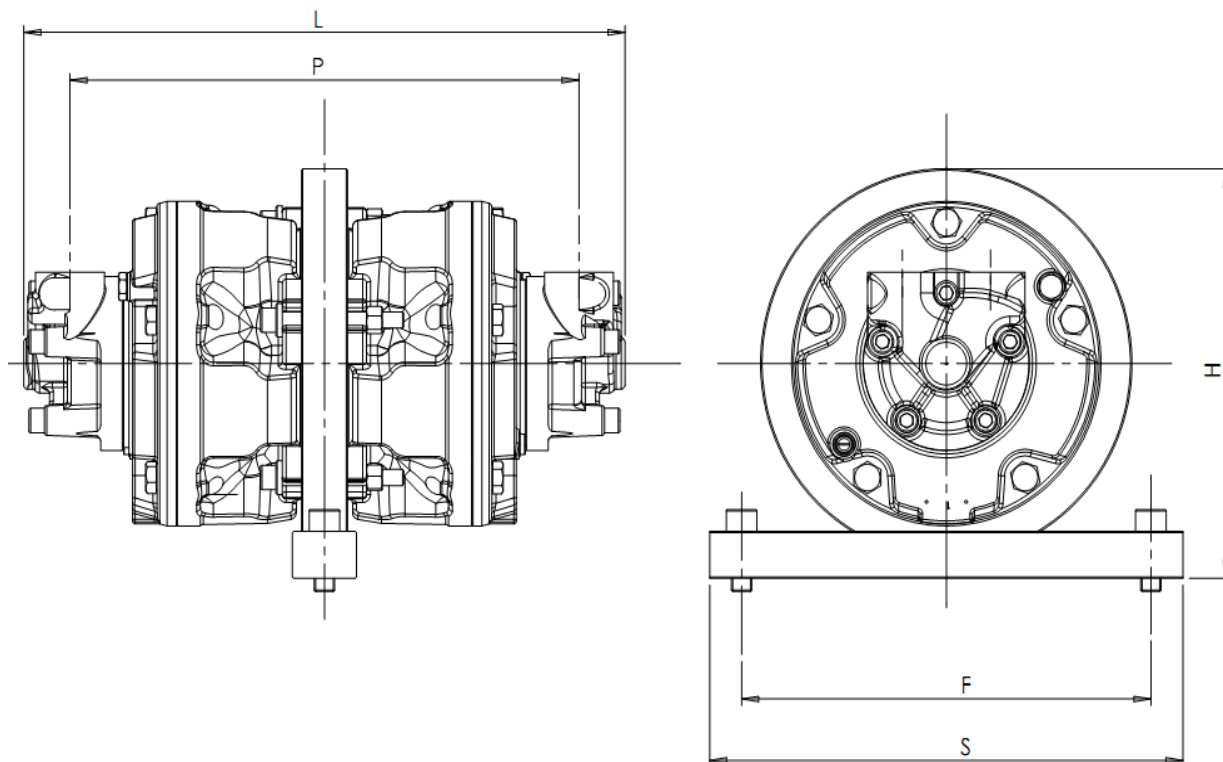
Max power must not be exceeded

111126.1

SAI Spa
41122 Modena Italia
www.saispa.com
e-mail saispa@saispa.it

Provisional leaflets subjected to change without notice.
All data are real and calculated according to existing project.

EXTERNAL DIMENSIONS



	GM1	GM2	GM3	GM5	GM6
	[mm]				
H	305	370	450	565	580
F	320	390	470	595	610
S	370	450	540	680	700
L	470	540	580	690	880
P	398	460	505	620	775

111126.1

SAI Spa
41122 Modena Italia
www.saispa.com
e-mail saispa@saispa.it

Provisional leaflets subjected to change without notice.
All data are real and calculated according to existing project.